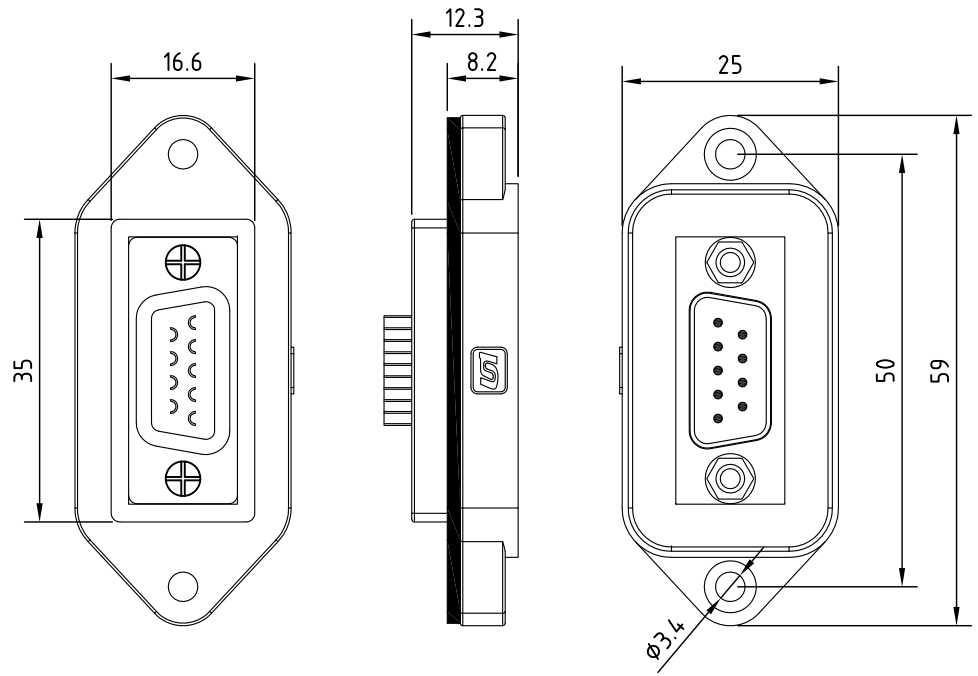


REV.	Description	Date

Specification of connector

Locking system : screw
 Termination : solder
 Shell protection : IP67
 Rated current : 9P/5A ; 15P/2A
 Contact resistance : $\leq 20m\Omega$
 Insulation resistance : $\geq 500M\Omega$ at 500V DC



RoHS
TOLERANCE X±0.5 .X±0.3

CONTACT ARRANGEMENT FRONT VIEW (MALE)	UT-SD335F-9P	UT-SD335F-15P

3	D SUB	9P/15P with screw nut	
2	Pad	Rubber	
1	Body	PA	
Item	Description	Material	Treat & Remark



Unicable Co., Ltd. 國陽電業有限公司
 5F., No. 111-33, Sec. 4, San Ho Road, San Chung City, Taiwan, R.O.C.
<http://www.unicable.com.tw> TEL:+886-2-2286-2122 FAX:+886-2-2286-1010

DATE	2016/10/7	PART NO.	UT-SD335F-XP
DWN	GINA	REV.	0
CHK			
UNIT	MM		

ITEM	Waterproof D SUB series
------	-------------------------