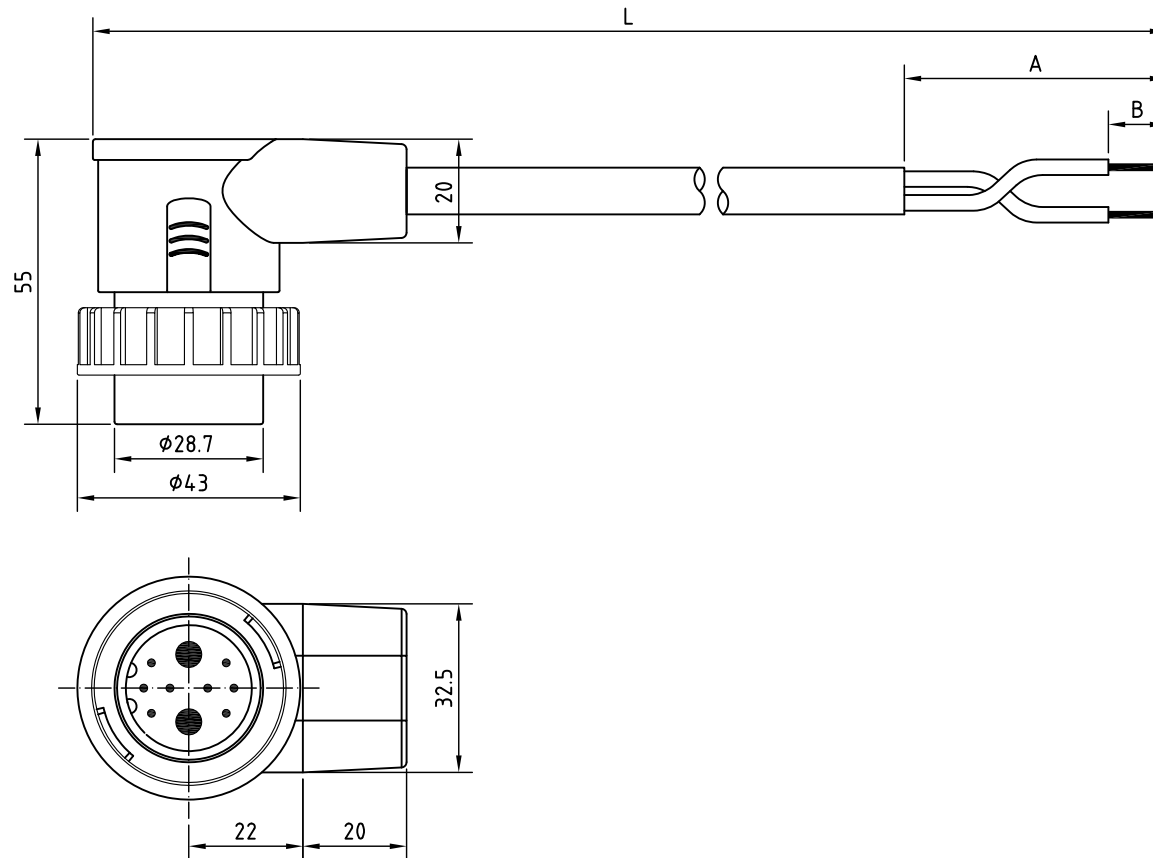


REV.	Description	Date
1	upgrade drawing	2012/10/17
2	rated voltage, contact resistance revise	2016/4/19
3	rated current revise	2018/10/5



### Specification of connector

Locking system	: Twist Lock
Shell protection	: IP67
Rated voltage	: 360V
Rated current	: Large pin 65A Small pin 10A
Contact resistance	: Large pin <5mΩ Small pin <30mΩ

### Materials

Pin contact	: brass
Contact plating	: gold
Male insert	: PA
Ring nut	: PA
O-ring	: rubber

### Specification of cable

Material Jacket	PVC	PUR

RoHS



**Unicable Co., Ltd. 國陽電業有限公司**

5F., No. 111-33, Sec. 4, San Ho Road., San Chung Dist., New Taipei City, Taiwan, R.O.C.  
<http://www.unicable.com.tw> TEL:+886-2-2286-2122 FAX:+886-2-2286-1010

DATE	2018/10/5	PART NO.	UT-D257M2-XP
DWN	GINA	REV.	3
CHK			
UNIT	MM		

ITEM

High Power