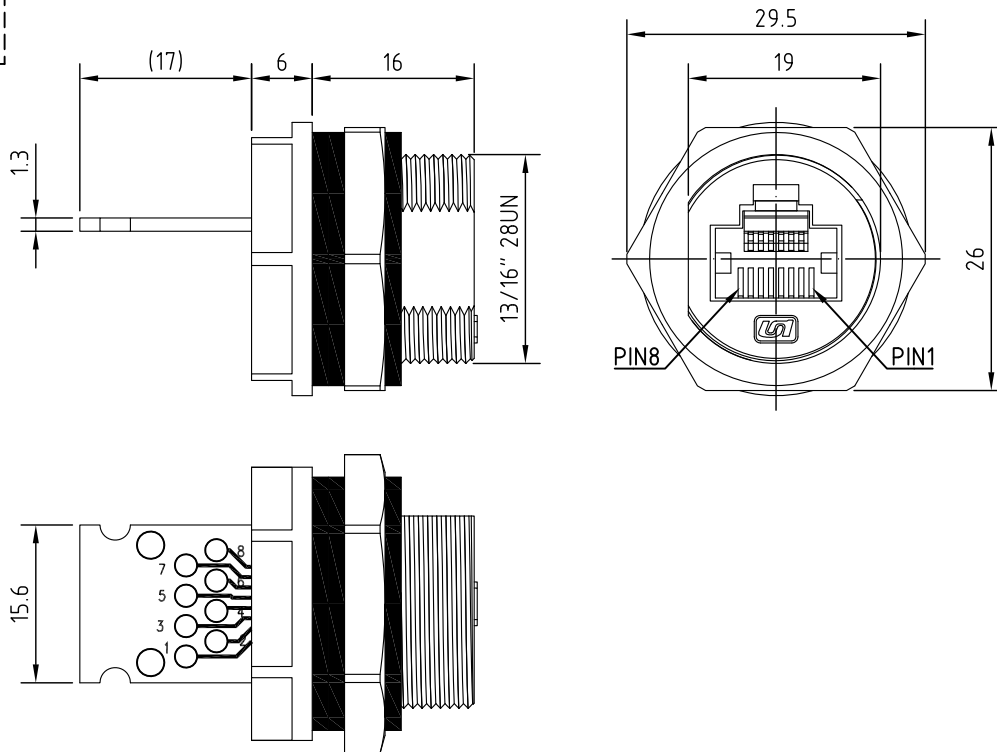


Recommended Panel cut-out



REV.	Description	Date
1	add pad	2015/11/25
2	add recommended panel cut-out	2018/4/16
3	rated voltage revise	2018/10/5
4	panel cut-out dimension revise	2020/9/16

Specification of connector

Locking system : screw 13/16" 28UN  
 Shell protection : IP68  
 Rated voltage : 60V  
 Rated current : 1.5A

5	PCB	FR4/Green
4	RJ45 jack	8P shielded
3	Nut	PA
2	Pad	Rubber
1	Body	PA
Item	Description	Material&Plating

RoHS  
 TOLERANCE X±0.5 .X±0.3



Unicable Co., Ltd. 國陽電業有限公司

5F., No. 111-33, Sec. 4, San Ho Road., San Chung Dist., New Taipei City, Taiwan  
<http://www.unicable.com.tw> Tel:+886-2-2286-2122 Fax:+886-2-2286-1010

DATE	2020/9/16	PART NO.	UT-4047
DWN	GINA	REV.	4
CHK			
UNIT	MM		

ITEM	Waterproof RJ45 jack
------	----------------------