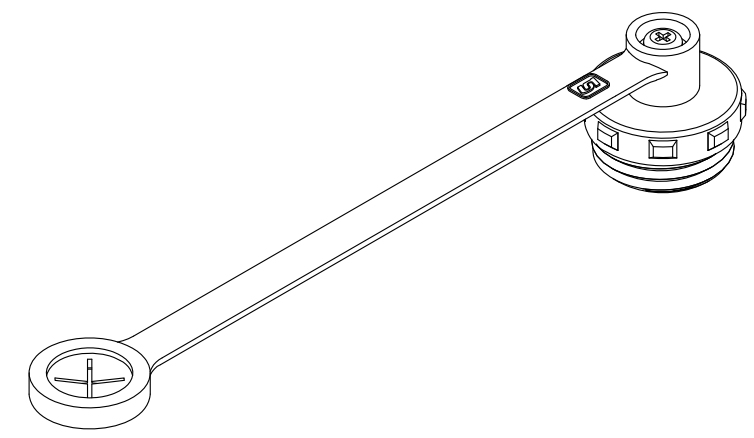
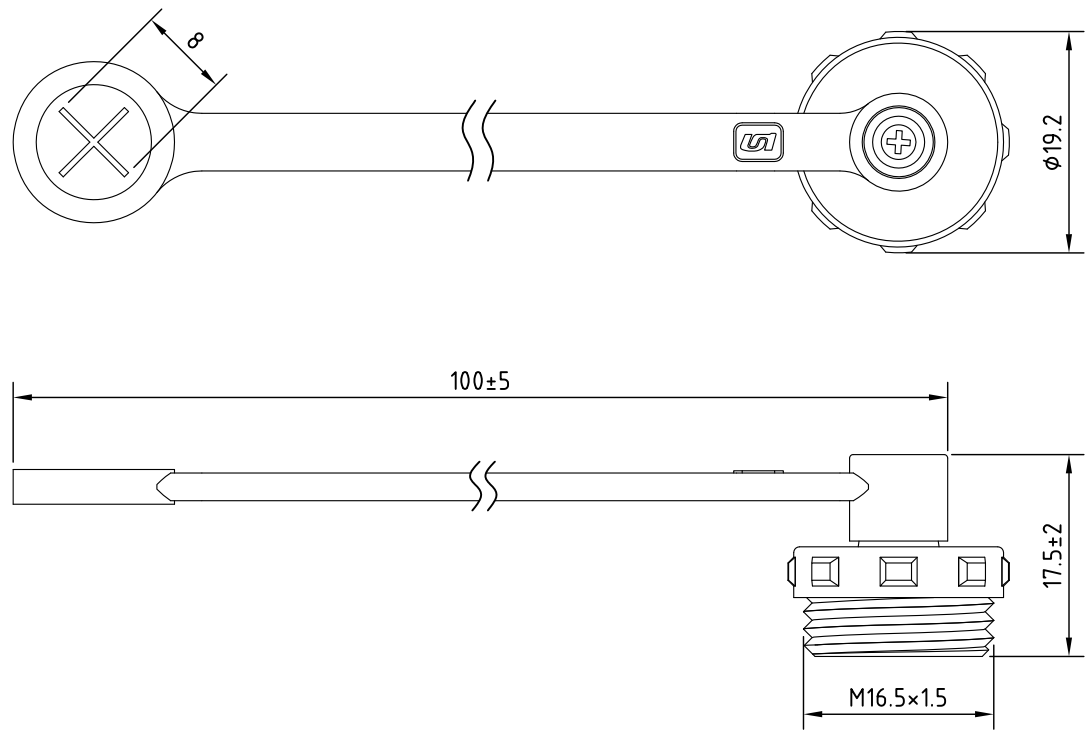


| REV. | Description        | Date     |
|------|--------------------|----------|
| 1    | dimensions revised | 2020/2/5 |



RoHS  
TOLERANCE  $\pm 0.5$

| 4    | Screw       | SUS      |                |
|------|-------------|----------|----------------|
| 3    | Washer      | SUS      |                |
| 2    | Cable tie   | PVC      |                |
| 1    | Cap         | PA       |                |
| Item | Description | Material | Treat & Remark |



**Unicable Co., Ltd. 國陽電業有限公司**  
5F., No. 111-33, Sec. 4, San Ho Road, San Chung City, Taiwan, R.O.C.  
<http://www.unicable.com.tw> TEL:+886-2-2286-2122 FAX:+886-2-2286-1010

|      |                |          |           |
|------|----------------|----------|-----------|
| DATE | 2020/2/5       | PART NO. | UT-264C-6 |
| DWN  | GINA           | REV.     | 1         |
| CHK  |                |          |           |
| ITEM | Waterproof Cap | UNIT     | MM        |