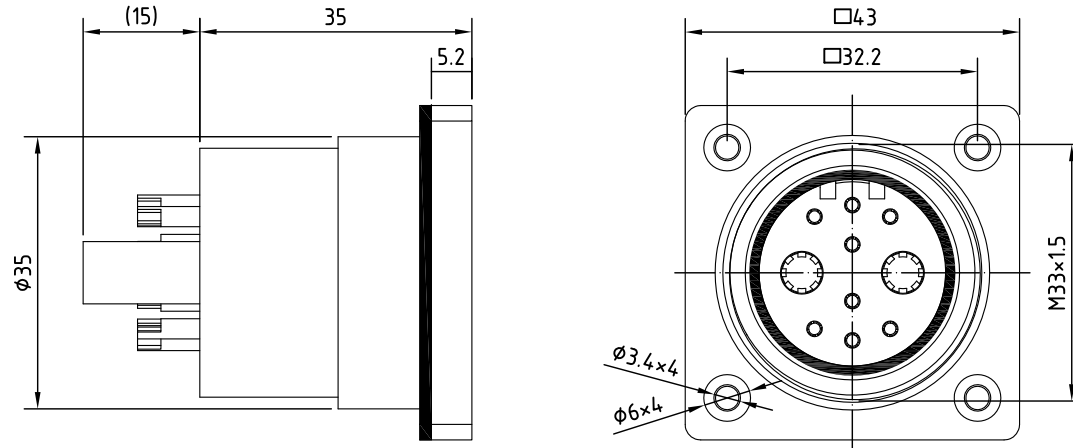


REV.	Description	Date
1	rate voltage, contact resistance revise	2016/4/19
2	rated current revise	2018/10/5

Specification of connector

Locking system : Screw M33
 Shell protection : IP67
 Rated voltage : 360V
 Rated current : Large pin 65A
 : Small pin 10A
 Contact resistance : Large pin <5mΩ
 : Small pin <30mΩ



RoHS

TOLERANCE X±0.5 X.X±0.3

4	Pad	Rubber	
3	O ring	Rubber	
2	Pin	Brass	Gold plated
1	Body	PA	
Item	Description	Material	Treat & Remark



Unicable Co., Ltd. 國陽電業有限公司

5F., No. 111-33, Sec. 4, San Ho Road., San Chung Dist., New Taipei City, Taiwan, R.O.C.
<http://www.unicable.com.tw> TEL:+886-2-2286-2122 FAX:+886-2-2286-1010

DATE	2018/10/5	PART NO.	UT-SD280F1-XP
DWN	GINA	REV.	2
CHK			
ITEM	High Power M33	UNIT	MM