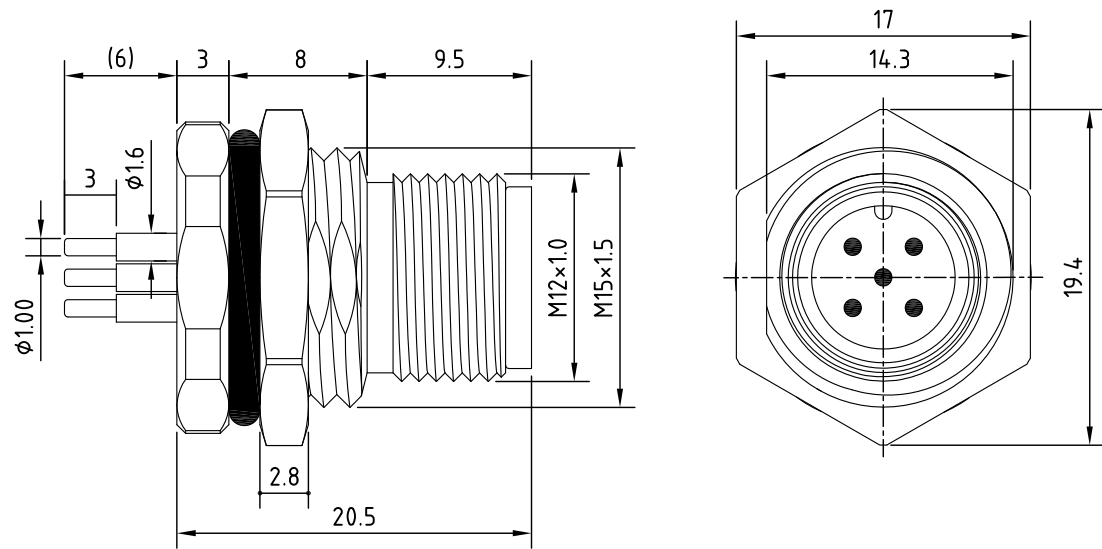


REV.	Description	Date



### Specification of connector

- Locking system : M12
- Termination : DIP
- Shell protection : IP68
- Rated voltage : 250V
- Rated current : 5A
- Contact resistance :  $\leq 10\text{m}\Omega$
- Insulation resistance :  $> 10\text{M}\Omega$

RoHS  
TOLERANCE X $\pm$ 0.5 .X $\pm$ 0.3 .XX $\pm$ 0.2

PART NO.	UT-SD170F10-2P-02	UT-SD170F10-3P-02	UT-SD170F10-4P-02	UT-SD170F10-5P-02
CONTACT ARRANGEMENT FRONT VIEW (MALE)				
PCB Layout				

5	Nut	Brass	Nickel plated
4	O ring	Rubber	
3	Body	Brass	Nickel plated
2	Pin	Brass	Gold plated
1	Housing	PA	UL94V-0
Item	Description	Material	Treat & Remark

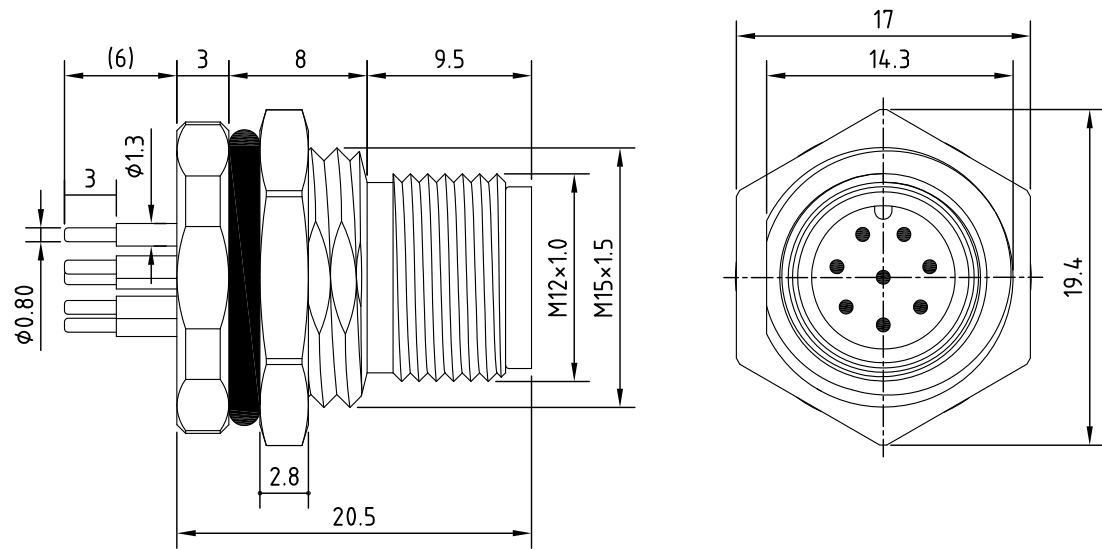


**Unicable Co., Ltd. 國陽電業有限公司**  
5F., No. 111-33, Sec. 4, San Ho Road, San Chung City, Taiwan, R.O.C.  
<http://www.unicable.com.tw> TEL:+886-2-2286-2122 FAX:+886-2-2286-1010

DATE	2016/10/7	PART NO.	UT-SD170F10-XP-02
DWN	GINA	REV.	0
CHK			
UNIT	MM		

ITEM	Sensor Connector M12(MALE CONN. 2-5PIN)
------	---

REV.	Description	Date



### Specification of connector

- Locking system : M12
- Termination : DIP
- Shell protection : IP68
- Rated voltage : 125V
- Rated current : 2A
- Contact resistance :  $\leq 10\text{m}\Omega$
- Insulation resistance :  $> 10\text{M}\Omega$

RoHS  
TOLERANCE X $\pm$ 0.5 .X $\pm$ 0.3 .XX $\pm$ 0.2

PART NO.	UT-SD170F10-6P-02	UT-SD170F10-7P-02	UT-SD170F10-8P-02
CONTACT ARRANGEMENT FRONT VIEW (MALE)			
PCB Layout			

5	Nut	Brass	Nickel plated
4	O ring	Rubber	
3	Body	Brass	Nickel plated
2	Pin	Brass	Gold plated
1	Housing	PA	UL94V-0
Item	Description	Material	Treat & Remark

 **Unicable Co., Ltd. 國陽電業有限公司**  
5F., No. 111-33, Sec. 4, San Ho Road, San Chung City, Taiwan, R.O.C.  
<http://www.unicable.com.tw> TEL:+886-2-2286-2122 FAX:+886-2-2286-1010

DATE	2016/10/7	PART NO.	UT-SD170F10-XP-02
DWN	GINA	REV.	0
CHK			
UNIT	MM		

ITEM	Sensor Connector M12(MALE CONN. 6-8PIN)
------	---

