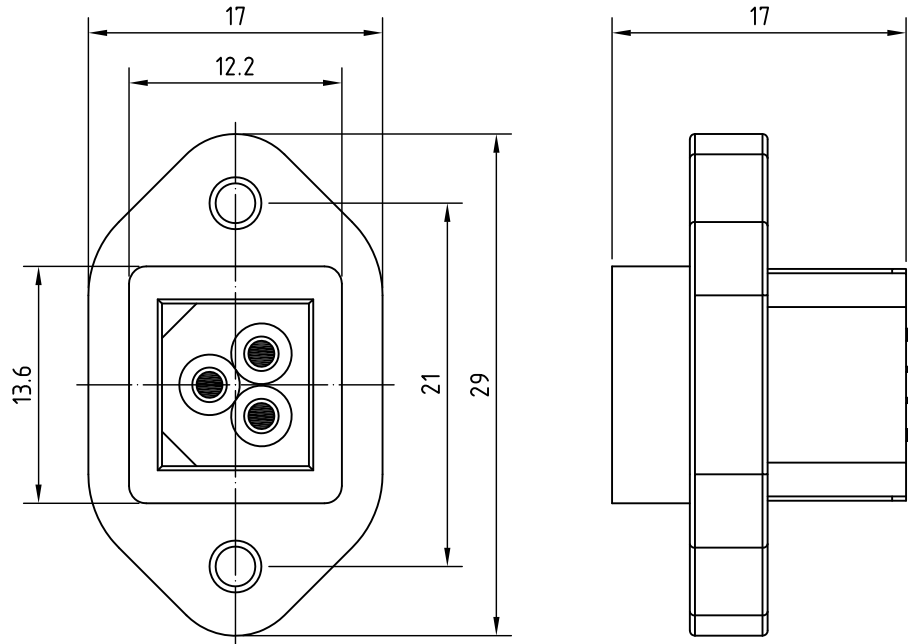


REV.	Description	Date

### Specification

1. Current rating: 20V DC 8A Max.
2. Volatge rating: 500V AC
3. Insulation resistance: 1000MΩ Min. 250V
4. Dielectric strength: AC 500V / 1 minute



RoHS

TOLERANCE X±0.5 X.X±0.3



**Unicable Co., Ltd. 國陽電業有限公司**

5F., No. 111-33, Sec. 4, San Ho Road, San Chung City, Taiwan, R.O.C.  
<http://www.unicable.com.tw> TEL:+886-2-2286-2122 FAX:+886-2-2286-1010

DATE	2016/10/7	PART NO.	UT-HS001-3PP
DWN	GINA	REV.	0
CHK			
UNIT	MM		

ITEM	Housing Connector Molded Cable
------	--------------------------------