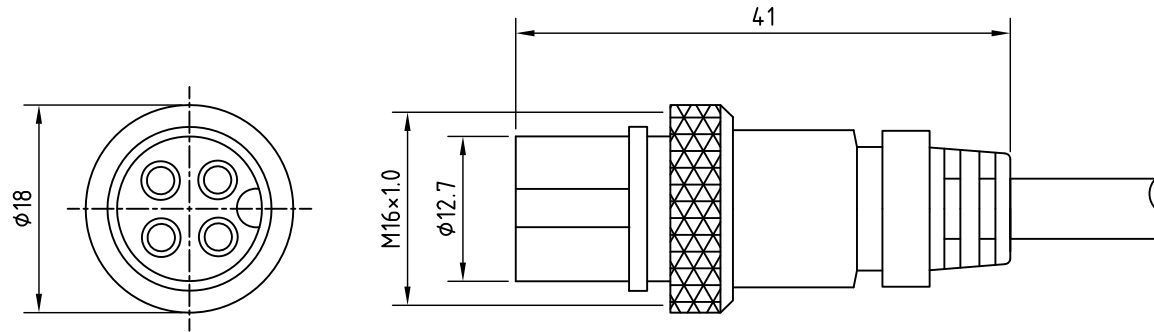


REV.	Description	Date
1	part no. revise	2016/10/27

Specification

1. Current rating: 1A-15A
2. Dielectric strength: AC 500V / 1 minute



RoHS

TOLERANCE X \pm 0.5 X.X \pm 0.3

CONTACT ARRANGEMENT FRONT VIEW	2P	3P	4P	5P	6P	7P	8P



Unicable Co., Ltd. 國陽電業有限公司

5F., No. 111-33, Sec. 4, San Ho Road, San Chung City, Taiwan, R.O.C.

<http://www.unicable.com.tw> TEL:+886-2-2286-2122 FAX:+886-2-2286-1010

DATE	2016/10/27	PART NO.	UT-D033-XP
DWN	GINA	REV.	1
CHK			
ITEM	Mic Connector	UNIT	MM